

B. & F. Geyler,

Bung Cutter.

No. 88030.

Fig. 1. Patented Mar. 23, 1869.

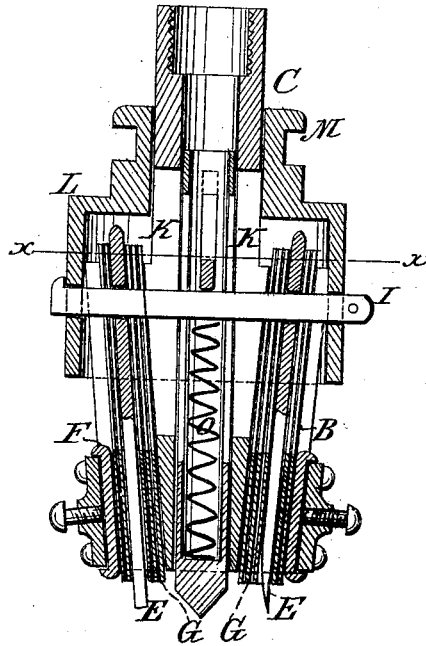


Fig. 2.

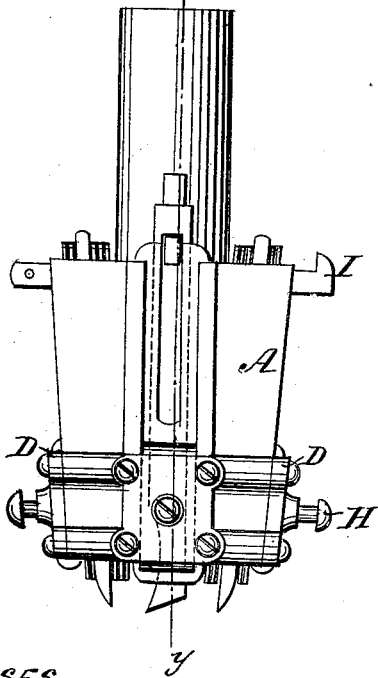
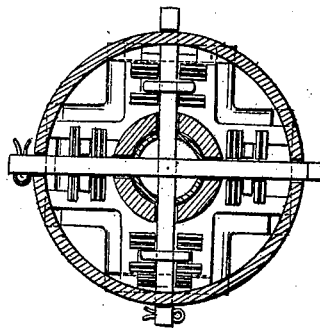


Fig. 3.



WITNESSES.

John Becker.

Amel Morgan.

INVENTORS.

B. Geyler.

F. Geyler.

M. M. Morgan
attys.



BENJAMIN GEYLER AND FREDERICK GEYLER, OF CINCINNATI,
OHIO.

Letters Patent No. 88,030, dated March 23, 1869.

IMPROVEMENT IN BUNG-CUTTER

The Schedule referred to in these Letters Patent and making part of the same.

To all whom it may concern :

Be it known that we, BENJAMIN GEYLER and FREDERICK GEYLER, of Cincinnati, in the county of Hamilton, and State of Ohio, have invented a new and useful Improvement in Bung-Cutters; and we do hereby declare that the following is a full, clear, and exact description thereof, which will enable others skilled in the art to make and use the same, reference being had to the accompanying drawings, forming part of this specification.

This invention relates to improvements in cutter-heads, for cutting bungs, whereby they may be readily adjusted, to cut them of any desired size, and the cutting-tools may be fed up to the work with facility, as will be hereinafter described.

In the accompanying drawings—

Figure 1 represents a sectional elevation of our improved cutter;

Figure 2 represents a side elevation of the same, with the sleeve removed; and

Figure 3 represents a horizontal section of the same.

Similar letters of reference indicate corresponding parts.

A represents the cutter-head, preferably made of cast-metal, having two, four, or any other preferred number of tool-holding grooves, B, parallel with the axis of the same, in one plane, but angularly thereto, in a plane at right angles to the first-mentioned plane. It is also provided with a shank, C, for securing it to a stock, or to the mandrel of a lathe.

Near the lower ends of the said grooves, they are provided with caps, D, for holding the cutters E, their gibs F, and keys G, in place, and for the support of set-screws, H. For clamping them together with the requisite amount of pressure, above the said caps, the grooves are open on the outside, and the keys are slotted, to admit the passage of the transverse keys I through mortises in the upper ends of the cutters, and

through the shank of the head, which is provided with elongated slots, K, for the purpose. The said keys also pass through and connect the cutters to the sleeve L, the hub of which is fitted to slide on the reduced shank C of the head.

The said hub is provided with an annular groove, M, into which a croched arm of a vibrating lever may be arranged, to cause the sleeve to slide back and forth on the shank of the head, for forcing the cutters out, or drawing them in.

The keys G are provided with lugs at each end, to hook over the ends of the side walls of the grooves B, to prevent being moved by the tools when they are moved by the sleeve.

N represents a yielding centre-pin, arranged in an axial hole bored for it in the stock, and provided with a spiral spring, O, for throwing it out against the wood, in advance of the cutters, to centre and hold the same, until the cutters are brought into action. The upper end of the spring bears against the transverse keys I, and is pressed down by them in their forward movement against the point of the centre.

The adjustment of the cutters, to cut bungs of various sizes, is accomplished by changing the key G from one side to the other of the said cutters, as will be readily understood.

Having thus described our invention,

We claim as new, and desire to secure by Letters Patent—

The arrangement of the slotted head and shank A C, the sleeve L, keys I, slotted adjustable cutters E, and slotted yielding centre-pin N, all constructed to operate as herein shown and described.

BENJAMIN GEYLER.
FREDERICK GEYLER.

Witnesses :

G. DECKER,
PH. WIRZERNET.